

Owners & Installation

Manual



IG34 GAS INBUILT



Models: IG34-NG
IG34-LPG
IG34-ULPG

PLEASE KEEP THESE INSTRUCTIONS FOR FUTURE REFERENCE

LISTINGS AND CODE APPROVALS

These gas appliances have been tested in accordance with AS4553, NZS 5262 and have been certified by the Australian Gas Association for installation and operation as described in these Installation and Operating Instructions.

Your unit should be serviced annually by an authorised service person.

WARNING:

Improper installation, adjustment, alteration, service or maintenance can cause injury or property damage. Refer to this manual. For assistance or additional information consult an authorised installer, service agency or the gas supplier.

FOR YOUR SAFETY

Do not store or use gasoline or other flammable vapours and liquids in the vicinity of this or any other appliance.

Installation and service must be performed by an authorised installer, service agency or the gas supplier.

FOR YOUR SAFETY

What to do if you smell gas:

- Do not try to light any appliance
- Do not touch any electrical switch: do not use any phone in your building.
- Immediately call your gas supplier from a neighbour's phone. Follow the gas supplier's instructions.
- If you cannot reach your gas supplier, call the fire department.

REGENCY GAS INBUILT FIREPLACE

TO THE NEW OWNER

Congratulations! You are the owner of a state-of-the-art Gas Inbuilt Fireplace by FPI. The Regency Gas Fireplace Series of appliances has been designed to provide you with all the warmth and charm of a fireplace, at the flick of a switch. The model IG34 of this series has been approved by Australian Gas Association for both safety and efficiency. As it also bears our own mark, it promises to provide you with economy, comfort and security for many trouble free years to follow. Please take a moment now to acquaint yourself with these instructions and the many features of your Regency Fireplace.

UNIT DIMENSIONS

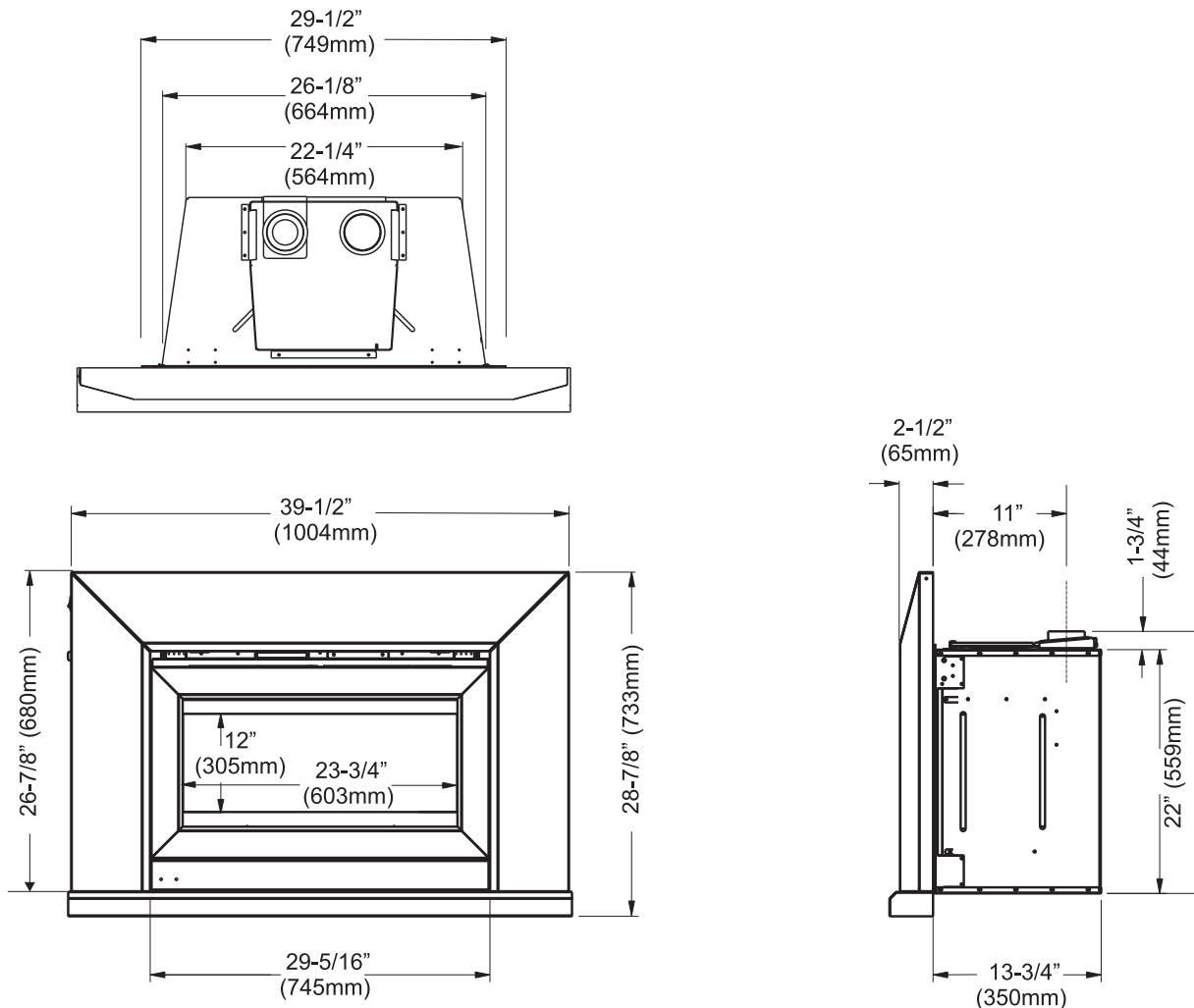


TABLE OF CONTENTS

DATA BADGE	
Copy of Data Badge	4
INSTALLATION	
Important Message.....	5
For Your Safety.....	5
Before You Start	5
Installation Checklist.....	5
Materials Required	5
Minimum Fireplace Dimensions	6
Clearances To Combustibles.....	6
Gas Connection	6
Flueing.....	6
Flue Liner Installation	7
Gas Pipe Pressure Testing	7
Installation in masonry or zero clearance chimney.....	8
Aeration Settings	9
Conversion from NG to LPG.....	10
Conversion from NG to ULPG	12
Optional Stainless steel inner panel install.....	14
Log set installation.....	15
Glass Door installation.....	18
Standard Flush Door	18
Optional Flush Trim	
Faceplate & Optional plinth trim Assembly.....	19
Faceplate and door frame Installation	20
Thermodisc installation.....	21
Final Check.....	22
Wiring standard	22
Operating Instructions	23
Lighting Instructions.....	23
Shutdown Instructions	23
First Fire	23
Remote Control	23
Summary of Controls	23
Fan Operation.....	23
Copy Of Lighting Instruction Plate.....	24
Normal Operating Sounds Of Gas Appliances	24
Resetting the unit.....	24
MAINTENANCE	
Door Glass	25
Replacement	25
Glass Gasket.....	25
Fan Maintenance.....	26
Valve assembly replacement.....	27
PARTS LIST	
Electronic Components Parts List	28
Main Assembly	29
Faceplate Assembly	30
WARRANTY	
Warranty.....	31



DATA BADGE

This is a copy of the label that accompanies each Regency IG34 Gas Inbuilt fireplace. We have printed a copy of the contents here for your review.

Check the label on the unit and if there is a difference, the label on the unit is the correct one.

DATA BADGE NOTE: Regency units are constantly being improved.

Regency Gas Fireplace

	<input type="radio"/>	<input type="radio"/>	
Gas Type	NG	LPG	ULPG
Model	<input type="radio"/>	<input type="radio"/>	<input type="radio"/>
Model	IG34-NG	IG34-LPG	IG34-ULPG
Gas Consumption	31.7mj.	30.6mj.	26.4mj.
Manifold Pressure	0.87 kPa	2.51 kPa	2.51 kPa
Injector Size	1x#37	1x#52	1x#53
	2.64mm	1.61mm	1.51mm
Approval No. AGA 7469 G AS4553 NZS 5262			

Electrical: 240VAC 50Hz 1.0 amp

918-794b

N2134

Serial Number **347**

Distributed by:

Western Australia:
Air Group Australia
 28 Division St
 Welshpool WA 6106

Eastern Australia:
Fireplace Products Australia Pty. Ltd.
 1 Conquest Way
 Hallam, VIC 3803

To be installed by an authorised person in accordance with installation instructions provided with the appliance.

DO NOT OPERATE THIS APPLIANCE BEFORE READING THE INSTRUCTIONS BOOKLET.

DO NOT PLACE ARTICLES ON OR AGAINST THIS APPLIANCE

DO NOT STORE CHEMICALS OR FLAMMABLE MATERIALS NEAR THIS APPLIANCE.

DO NOT SPRAY AEROSOLS IN THE VICINITY OF THIS APPLIANCE WHILE IN OPERATION.

DO NOT OPERATE WITH PANELS, COVERS OR GUARDS REMOVED FROM THIS APPLIANCE.

DO NOT ENCLOSE THIS APPLIANCE.

DO NOT MODIFY THIS APPLIANCE.

908-602a

THE GUARD IS FITTED TO THIS APPLIANCE TO REDUCE THE RISK OR FIRE OR INJURY FROM BURNS AND NO PART OF IT SHOULD BE PERMANENTLY REMOVED.

FOR PROTECTION OF YOUNG CHILDREN OR THE INFIRM, A SECONDARY GUARD IS REQUIRED.

(Australia Only)

IMPORTANT MESSAGE

The Regency Gas Inbuilt must be installed in accordance with these instructions. Carefully read all the instructions in this manual first.

Note: Failure to follow these instructions could cause a malfunction of the heater which could result in death, serious bodily injury, and/or property damage. Failure to follow these instructions may also void your fire insurance and/or warranty.

FOR YOUR SAFETY

This appliance requires air for proper combustion. Always provide adequate combustion and ventilation air. Follow instructions and information in the current AS5601, NZS 5262 or local codes. Consult the "authority having jurisdiction" to determine the need for a permit prior to starting the installation.

MATERIALS REQUIRED

A 240 Volt AC power cord is hooked up to the unit. Plug 3 wire cord into a suitable receptacle. Do not cut the ground terminal off under any circumstances.

When connected with 240 volts, the appliance must be electrically grounded in accordance with local codes.

This unit is polarity sensitive and will not operate if polarity is incorrect.

WARNING:

Suitable for installation into a masonry fireplace only.

BEFORE YOU START

Installation is to be carried out ONLY by an authorised person.

- 1) The appliance shall be installed in accordance with the manufacturer's installation instructions, local gas fitting regulations, municipal building codes, water supply regulations, electrical wiring regulations, with AS5601. (AGA gas installation code) NZS 5262(New Zealand)
- 2) **Installation and repair should be done ONLY by an authorised person.**
- 3) The appliance should be inspected before use and at least annually by an authorised service person. More frequent cleaning may be required due to excessive lint from carpeting, bedding material, etc. It is imperative that control compartments, burners and circulating air passageways of the appliance be kept clean and free from excessive lint from carpeting.
- 4) See general construction and assembly instructions. This appliance may only be installed in a flued, non-combustible fireplace. The appliance and flue should be enclosed when installed or passing through a living area, where children may come in contact with it.
- 5) Always connect this space heater to a chimney and flue to the outside of the building envelope. Never flue to another room. Make sure that the flue is properly sized and is of adequate height to provide the proper draft.
- 6) Inspect the flueing system annually for blockage and any signs of deterioration.
- 7) Any safety glass removed for servicing must be replaced prior to operating the appliance.
- 8) To prevent injury, do not allow anyone who is unfamiliar with the operation to use the fireplace.
- 9) Installer must mechanically attach the supplied label to the inside of the firebox of the fireplace into which the gas fireplace insert is installed.

"WARNING: This fireplace has been converted for use with a gas fireplace insert only and cannot be used for burning wood or solid fuels unless all original parts have been replaced, and the fireplace re-approved by the authority having jurisdiction."

INSTALLATION CHECKLIST

Before installing vent system ensure that the damper plate is open and secure to prevent the damper plate from falling down and crushing the liner.

The FPI Gas Inbuilt is installed as listed.

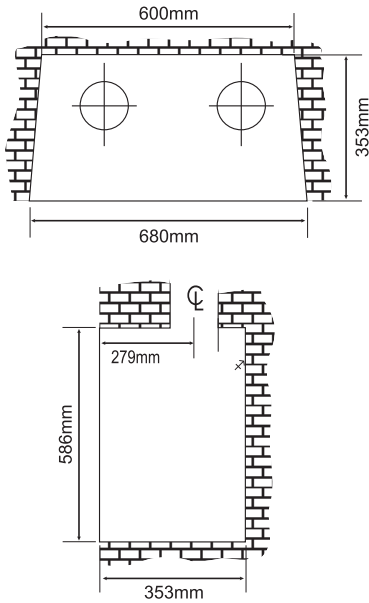
- 1) Check all clearances to combustibles, (Refer to sections "Minimum Fireplace Dimensions and Clearances to Combustibles")
- 2) Make the gas connection. (Refer to section "Gas Connection")
- 3) Install the 3" (76.2mm) flue liner to the sliding connector plate. (Refer to section "Flue Liner Installation.")
- 4) Slide the unit half way into the fireplace.
- 5) Pull the vent connector plate through the tapered brackets and fasten to the front plate. Refer to section "Flue Liner Installation.")
- 6) Slide the unit fully into the fireplace.
- 7) Test gas pressure (Refer to section "Gas Pipe Pressure Testing"). Check aeration system (Refer to section "Gas Insert Aeration System").
- 8) Install standard and optional features. Refer to the following sections:
 - a. Log Set
 - b. Faceplate & Door Trim
 - c. Inner Stainless Panels
- 9) **Final check:** Before leaving this unit with the customer, the installer must ensure that the appliance is firing correctly. This includes:
 - a) Clocking the appliance to ensure the correct firing rate.
 - b) Adjusting the primary air and restrictor settings, if required, to ensure that the flame does not carbon.

NOTE:
TO BE INSTALLED ON A
NON-COMBUSTIBLE FLOOR.

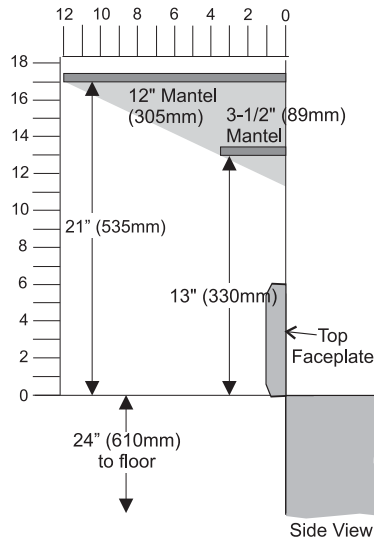
INSTALLATION

MINIMUM FIREPLACE DIMENSIONS

The minimum fireplace dimensions for the Regency gas space heater are shown in the following diagrams:



Mantel Clearances



Note: A non-combustible mantel may be installed at a lower height if the framing is made of metal studs covered with a non-combustible board.

FLUEING

THE APPLIANCE MUST NOT BE CONNECTED TO A CHIMNEY FLUE SERVING A SEPARATE SOLID FUEL BURNING APPLIANCE AND MUST BE TERMINATED TO THE OUTDOORS.

This appliance is designed to be attached to two 3" (76mm) co-linear aluminium flex running the full length of the chimney. The flue length must be a minimum length of 8' (2.44m) and a maximum of 35' (10.7m). See chart below for minimum distances from roof. Periodically check that the vent is unrestricted.

Masonry chimneys may take various contours which the flexible liner will accommodate. However, **keep the flexible liner as straight as possible**, avoid unnecessary bending.

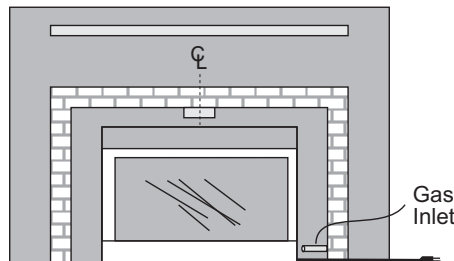
The Air Intake pipe must be attached to the inlet air collar of the termination cap.

Part #	Description
948-305	76mm Flex - 10.6m
46dva-gk	Simpson Duravent Adaptor
46dva-vch	Simpson Vertical high wind cap

GAS CONNECTION

GAS CONNECTION WARNING: Only persons licensed to work with gas piping may make the necessary gas connections to this appliance.

- 1) If the appliance is to be installed into an existing chimney system, thoroughly clean the masonry fireplace.
- 2) The appliance is provided with an opening on the right hand side of the control compartment. The 9.5mm (3/8") flexible gas hose provided needs to be brought in from behind this opening. Ensure all gas connections are tight.
- 3) Locate the center point where the vent will pass through the chimney above the appliance. Move the appliance into the exact location where it is to be installed. Ensure that the Insert is level.

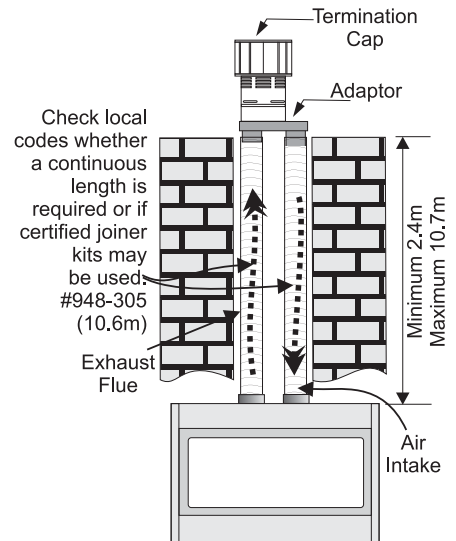
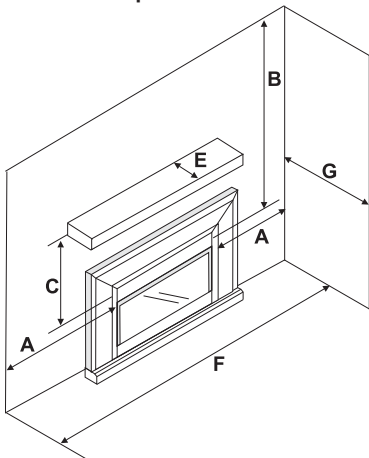


CLEARANCES TO COMBUSTIBLES

Minimum Clearances to Combustibles

	From Unit	
Sides	A	10" / 255mm
Ceiling	B	47.5" / 1205mm
Mantel	C	13" / 330mm
Max. Mantle Depth	E	12" / 305mm (see Dia. 2)
Min. Alcove Width	F	48" / 1220 mm
Max. Alcove Depth	G	36" / 915 mm

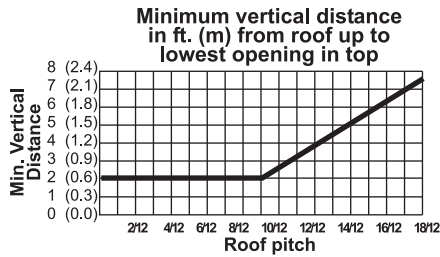
*No hearth required.



Note: When installing the flueing, identify the flues. Mark one exhaust and one intake as indicated on the top of the unit.

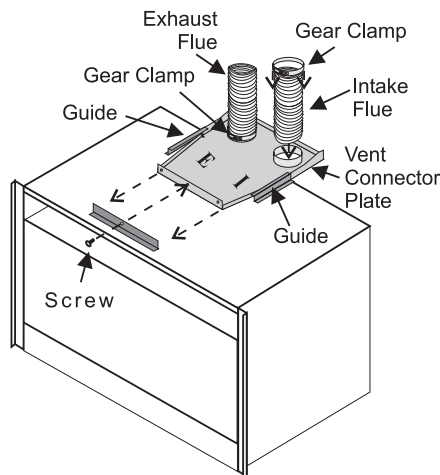
INSTALLATION

The Air Intake pipe must be attached to the inlet air collar of the termination cap.



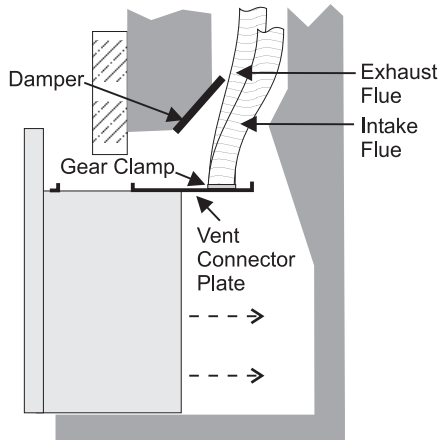
FLUE LINER INSTALLATION

- 1) Cut the flex liner as required.
- 2) **Mark the end of one liner to indicate Inlet.**
- 3) Connect the other end of the above liner to the inlet side of the termination adaptor, seal connection with high temperature silicone. Secure with gear clamp.
- 4) Connect the 2nd liner to the exhaust side of the adaptor, seal connection with high temperature silicone. Secure with gear clamp.



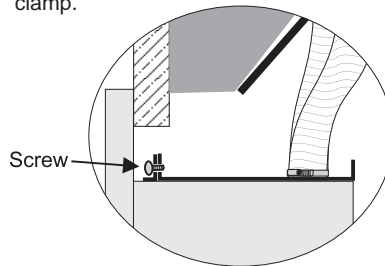
- 5) Install flashing.
- 6) Insert both liners into chimney, passing through the damper opening.
- 7) Install termination cap.
- 8) Connect the **marked end** of the liner to the inlet collar of the vent connector plate marked with an "I", seal connection with high temperature silicone. Secure with gear clamp.

Install to AS5601 (Australia) / NZS 5262 (New Zealand)



Be careful not to damage thermal insulation when sliding on vent connector plate. This could cause blockage.

- 9) Connect the 2nd liner to the exhaust collar marked with an "E", seal connection with high temperature silicone. Secure with gear clamp.



GAS PIPE PRESSURE TESTING

The appliance must be isolated from the gas supply piping system by closing its individual manual shut-off valve during any pressure testing of the gas supply piping system at test pressures equal to or less than 1/2 psig. (3.45 kPa). Disconnect piping from valve at pressures over 3.45 kPa (14" w.c.).

The manifold pressure is controlled by a regulator built into the gas control, and should be checked at the pressure test point.

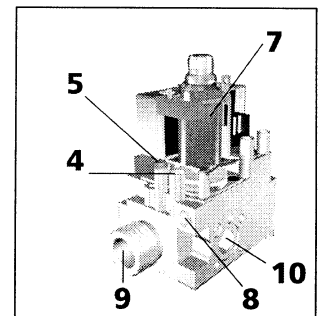
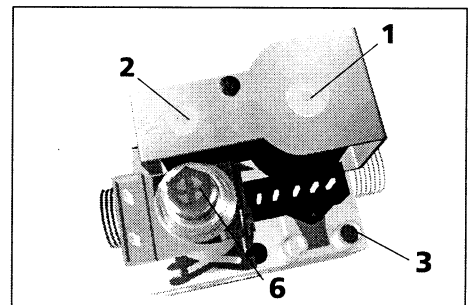
Note: To properly check gas pressure, both inlet and manifold pressures should be checked using the valve pressure ports on the valve.

- 1) Make sure the valve is in the "OFF" position.
- 2) Loosen the "IN" (# 3) and/or "OUT" (# 4) pressure tap(s), turning counterclockwise with a 1/8" wide flat screwdriver.
- 3) Attach manometer to "IN" and/or "OUT" pressure tap(s) using a 5/16" (8mm) ID hose.

- 4) Seal and or check the pilot outlet (# 8)
- 5) The pressure check should be carried out with the unit burning and the setting should be within the limits specified on the safety label.
- 6) When finished reading manometer, turn off the gas valve, disconnect the hose and tighten the screw (clockwise) with a 1/8" flat screwdriver. *Screw should be snug, but do not over tighten.*

S.I.T. Valve Description

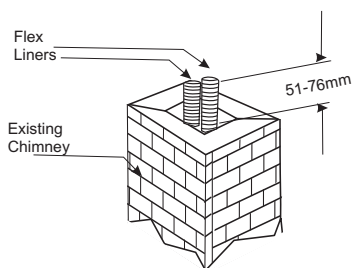
- 1) On-Off Solenoid Valve EV1
- 2) On-Off Solenoid Valve EV2
- 3) Inlet Pressure Test Point
- 4) Outlet Pressure Test Point
- 5) Connection for Pressure Regulator/ Combustion Chamber Compensation
- 6) Pressure Regulator for Minimum and Maximum Outlet Pressure
- 7) Gas Outlet Pressure Electric Modulator
- 8) Pilot Outlet
- 9) Main Gas Outlet
- 10) Side Outlet



INSTALLATION

INSTALLATION IN MASONRY OR ZERO CLEARANCE CHIMNEY

- 1) Measure and record dimensions to determine total Flex Liner length requirements (see instructions below for details).
- 2) Carefully feed the liner down the chimney (masonry or zero clearance) and out through the damper. One person should feed the liner through the chimney, and another person should pull the liner from the bottom.
- 3) After carefully feeding the Flex Liner down the chimney to the bottom, form and angle to line up the Flex Liner with the vent opening on the appliance.
Important: Do not let the Flex Liner sag below the level at which it will connect to the appliance or connector. This could allow hot gas to become trapped and potentially become a fire hazard. The Flex Liner path should always be sloped up toward the Termination Cap.
- 4) Temporarily secure the Flex Liner at the top of the chimney. Be sure to leave 2-3 inches of flex above the existing chimney to allow for connection to the Termination Kit (Baseplate and Adaptor).



- 5) Repeat Steps 1-4 for second length of Flex Liner.
- 6) At the top of the chimney, slide the Baseplate over the tow ends of the Flex Liner and secure it to the surrounding masonry using masonry anchor bolts. Before installing the baseplate, run a bead of non-hardening seal and between the Baseplate and the masonry to prevent moisture from entering the chimney.
Note: Verify that there is sufficient room to mount the Baseplate on to the masonry. You must have a level surface in order to install the Baseplate properly.
- 7) Attach the Flex Liner ends at the top of the chimney to the Co-Linear to Co-Axial Adaptor. Use four sheet metal screws to connect each Flex Liner run to the Adaptor.
- 8) Twist lock the Vertical Termination Cap to the Adaptor.

Note: If you are planning to extend the height of the chimney using Direct Vent GS Pipe, please refer to the Direct Vent Installation Instructions for information concerning the proper procedure and restrictions of Direct Vent Pipe.

Also, consult the appliance manufacturer for any height restrictions of the chimney.

- 9) Connect the Co-Linear Flex to the two outlets on the top of the appliance using four sheet metal screws each. See the appliance manufacturer's instructions for details. Make sure the Flex Liners do not sag behind the appliance. Finally, move the appliance into its appropriate place. Mount the Adaptor to the Baseplate using sheet metal screws.

System Data IG34			
IG34-NG: For 0 to 610 meters altitude IG34-LPG: For 0 to 610 meters altitude IG34-ULPG: For 0 to 610 meters altitude			
Burner Inlet Orifice Sizes:			
	NG	LPG	ULPG
Burner	#37	#52	#53
Max. Input			
	NG	31.7 mj	
	LPG	30.6 mj	
	ULPG	26.4 mj	
Min. Input			
	NG	21.1 mj	
	LPG	25.1 mj	
	ULPG	20.9 mj	
Supply Pressure			
	NG	1.13 kPa	
	LPG	2.75 kPa	
	ULPG	2.75 kPa	
Manifold Pressure			
		HIGH	LOW
	NG	0.87 kPa	0.4kPa
	LPG	2.51 kPa	1.6kPa
	ULPG	2.51 kPa	1.6kPa
Electrical: 240 V. 50Hz. Circulation: High/Off/LO speed fan, 150/89 CFM. Log Set: Ceramic fiber, 7 per set.			
Aeration Setting			
	NG	13mm open	
	LPG	13mm open	
	ULPG	13mm open	

AERATION SETTINGS

The burner aeration is factory set but may need adjusting due to either the local gas supply, air supply or altitude. This adjustment is performed by the installer. (Close the aeration for a more yellow flame, or open it to make the flame bluer).

NG: 13mm open
LPG: 13mm open
ULPG: 13mm open

Note: Any damage due to carboning resulting from improperly setting the aeration and restrictor setting controls is NOT covered under warranty.

INSTALLATION

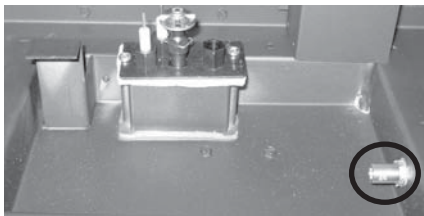
Conversion Kit #486-968 for NG to LPG Model

**THIS CONVERSION MUST BE DONE BY A QUALIFIED GAS FITTER
IF IN DOUBT DO NOT DO THIS CONVERSION !!**

Conversion Kit 486-968 Contains:

Qty.	Part #	Description
1	904-345	Burner Orifice #51
1	918-273	Red "LPG" label
1	918-272	Label "Converted to LPG"
1	910-037	LPG Pilot Injector
1	918-823	Instruction Sheet

- 1) Shut off the gas supply and unplug the power cord.
- 2) Remove the glass door, logs and lava rock.
- 3) Remove the rear log tray by removing the 2 screws. (Log tray must be rotated to clear the burner.)
- 4) Remove the grate.
- 5) Remove the burner and ensure the aeration setting is 13 mm open.
- 6) Remove burner orifice with a 1/2" wrench and discard. Use a wrench to hold on to the elbow behind the orifice.

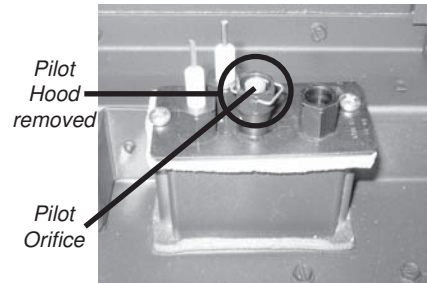
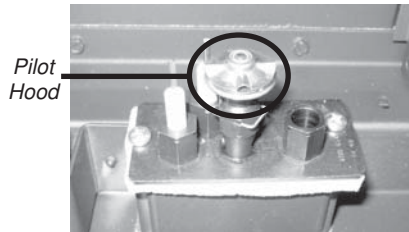


Burner

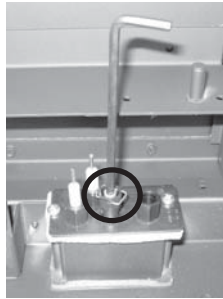
- 7) Reinstall new burner orifice LPG stamped #51 and tighten.
- 8) Apply the conversion label "This unit has been converted to ULPG" over top of the serial number decal.

Note: Aeration settings do not need to be adjusted.

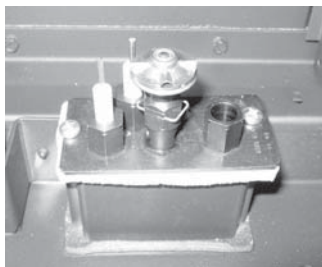
- 9) Pull out the pilot hood by hand.



- 10) Remove the pilot orifice with the allen key.



- 11) Put in the new LPG orifice with the allen key. Then put back the pilot hood.



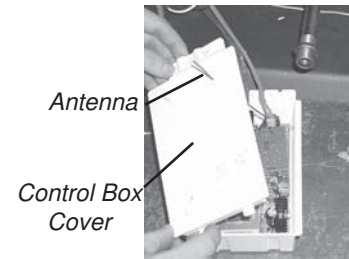
- 12) Replace the yellow "NG" label with the red "ULPG" label.

- 13) Carefully pull out the control box.

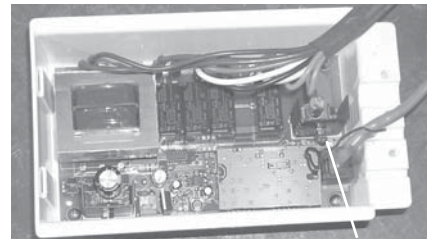
NOTE: The control box is held in place with velcro.

- 14) Remove the heat shield from the control box by removing the 2 screws.

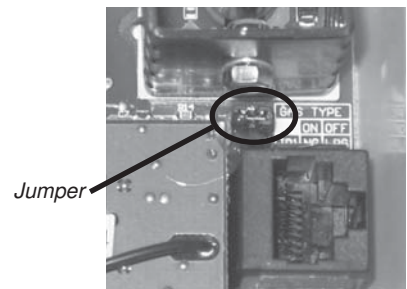
- 15) Remove the control box cover by undoing the 3 screws. Manoeuvre through antenna.



- 16) Remove the jumper using a plier.



Jumper Location



- 17) Reverse steps 13, 12, 11, 6, 5, 4, 3 & 2.

18) Turn on gas supply and plug in power cord.

19) Adjusting the Outlet Pressure

All the adjustments must be carried out in the following order:

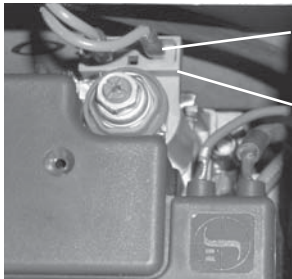
Remove the modulator plastic cap (A) using needle nose pliers.

Maximum pressure: Turn the unit ON to its highest input rating. Screw in the nut (B) to increase the outlet pressure and screw it out to decrease it. Use a 10 mm wrench.

NOTE: The outlet pressure must be set to maximum 2.51 kPa.

Minimum pressure: Remove one of the cables connected to the electric modulator. While holding the nut (B) with a wrench, screw in the screw (C) to increase the pressure and screw it out to decrease it. Use a screwdriver 6 x 1 blade.

NOTE: The outlet pressure must be set to minimum 1.6 kPa.



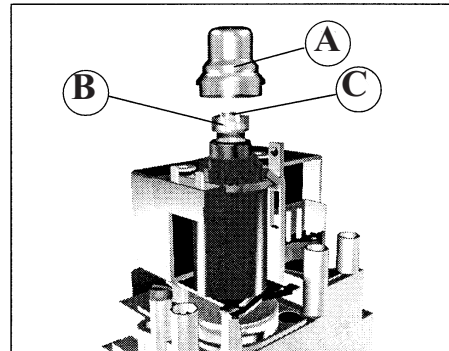
Cable

Electric Modulator

After carrying out all adjustments, block the setting screws with paint, taking care not to obstruct the breather orifice of the pressure.

Put back the modulator plastic cap.

WARNING: To ensure the correct operation of the modulator it is necessary that the plastic cap (A) is returned to its original location.



20) Turn on gas supply and plug in power cord.

21) At the end of all setting and adjustment operations, check electrical installation and gas leaks.

22) Check operation of flame control.

23) Check for proper flame appearance and glow on logs.

Installer Notice:
These instructions must be left with the appliance.

INSTALLATION

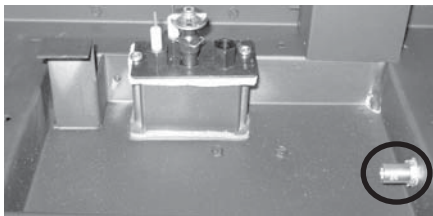
Conversion Kit #486-967 for NG to ULPG

**THIS CONVERSION MUST BE DONE BY A QUALIFIED GAS FITTER
IF IN DOUBT DO NOT DO THIS CONVERSION !!**

Conversion Kit 486-967 Contains:

Qty.	Part #	Description
1	904-345	Burner Orifice #53
1	918-273	Red "ULPG" label
1	918-272	Label "Converted to ULPG"
1	910-037	LPG Pilot Injector
1	918-824	Instruction Sheet

- 1) Shut off the gas supply and unplug the power cord.
- 2) Remove the glass door, logs and lava rock.
- 3) Remove the rear log tray by removing the 2 screws. (Log tray must be rotated to clear the burner.)
- 4) Remove the grate.
- 5) Remove the burner and ensure the aeration setting is 13 mm open.
- 6) Remove burner orifice with a 1/2" wrench and discard. Use a wrench to hold on to the elbow behind the orifice.

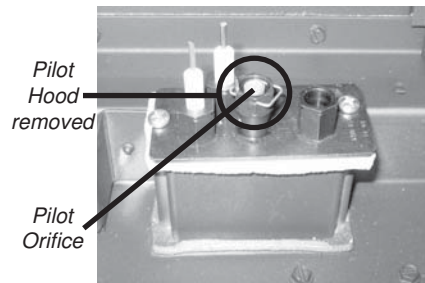
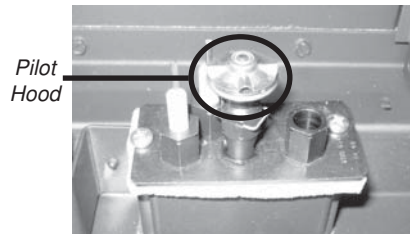


Burner

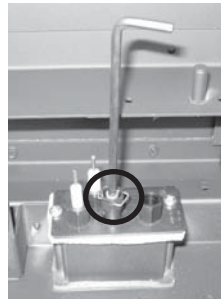
- 7) Reinstall new burner orifice ULPG stamped #53 and tighten.
- 8) Apply the conversion label "This unit has been converted to ULPG" over top of the serial number decal.

Note: Aeration settings do not need to be adjusted.

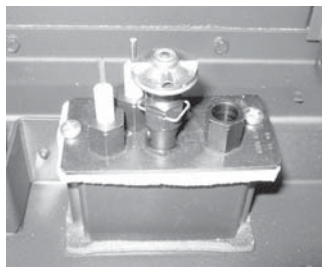
- 9) Pull out the pilot hood by hand.



- 10) Remove the pilot orifice with the allen key.



- 11) Put in the new LPG orifice with the allen key. Then put back the pilot hood.



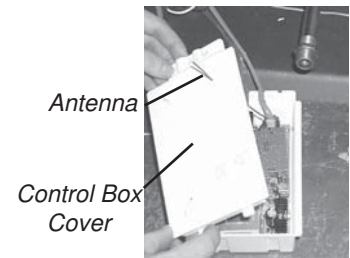
- 12) Replace the yellow "NG" label with the red "ULPG" label.

- 13) Carefully pull out the control box.

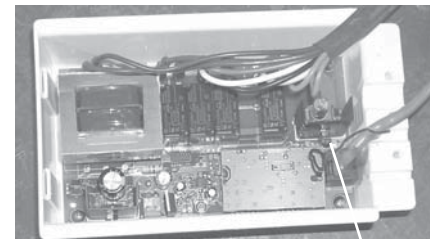
NOTE: The control box is held in place with velcro.

- 14) Remove the heat shield from the control box by removing the 2 screws.

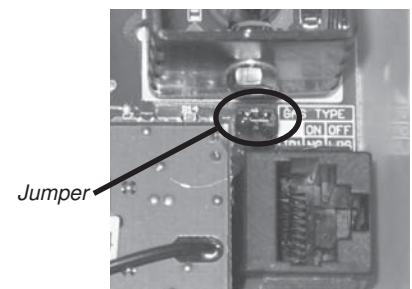
- 15) Remove the control box cover by undoing the 3 screws. Maneuver through antenna.



- 16) Remove the jumper using a plier.



Jumper Location



- 17) Reverse steps 13, 12, 11, 6, 5, 4, 3 & 2.

18) Turn on gas supply and plug in power cord.

19) Adjusting the Outlet Pressure

All the adjustments must be carried out in the following order:

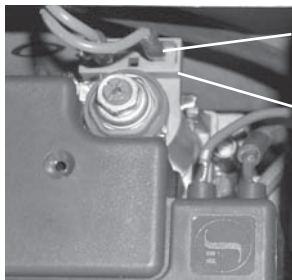
Remove the modulator plastic cap (A) using needle nose pliers.

Maximum pressure: Turn the unit ON to its highest input rating. Screw in the nut (B) to increase the outlet pressure and screw it out to decrease it. Use a 10 mm wrench.

NOTE: The outlet pressure must be set to maximum 2.51 kPa.

Minimum pressure: Remove one of the cables connected to the electric modulator. While holding the nut (B) with a wrench, screw in the screw (C) to increase the pressure and screw it out to decrease it. Use a screwdriver 6 x 1 blade.

NOTE: The outlet pressure must be set to minimum 1.6 kPa.



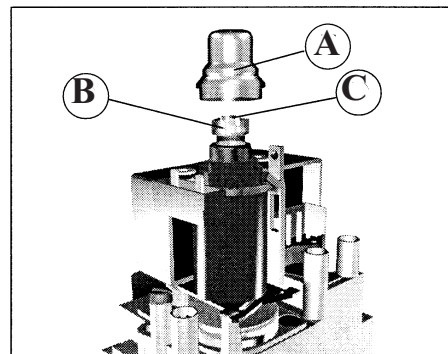
Cable

Electric Modulator

After carrying out all adjustments, block the setting screws with paint, taking care not to obstruct the breather orifice of the pressure.

Put back the modulator plastic cap.

WARNING: To ensure the correct operation of the modulator it is necessary that the plastic cap (A) is returned to its original location.



20) Turn on gas supply and plug in power cord.

21) At the end of all setting and adjustment operations, check electrical installation and gas leaks.

22) Check operation of flame control.

23) Check for proper flame appearance and glow on logs.

Installer Notice:
These instructions must be left with the appliance.

INSTALLATION

OPTIONAL STAINLESS STEEL INNER PANEL INSTALL

Before you start:

Stainless panels must be inspected for scratches and dimples prior to installation. All claims to be recorded at this time. Claims for damage after installation will not receive consideration.

To protect the finish during installation and handling - cotton gloves **MUST** be worn at all times while handling the panels (even when removing protective coating).

Stainless panels will discolor a little during normal operation. This is normal and should not be considered a defect.

All hand and finger marks **MUST** be cleaned off with a soft cloth and a stainless steel cleaner. Most stainless steel cleaners leave a film/residue on the surface of the panels. Use an ammonia based cleaner (ie. glass cleaner) to remove this film before applying heat to the unit. **Failure to do this will result in burn stains on panels which you will be unable to remove.** This is not a warranty item.

- 1) Remove faceplate, inner door frame and screen if already installed. Refer to page 18 in the instruction manual.
- 2) Remove the glass door by undoing 2 latches - lift up and out. Refer to page 17 in the manual for detailed instructions.



- 3) Remove all the logs if installed and set aside carefully.
- 4) Loosen the 4 screws securing the brackets that hold the existing back and side panels in place.



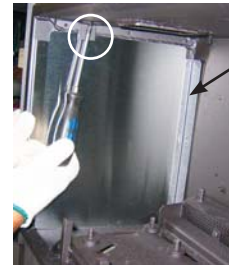
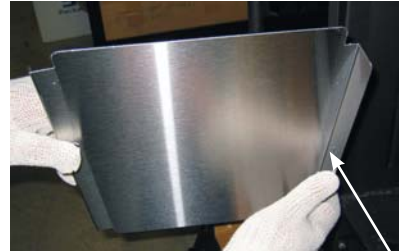
- 5) Remove the two back brackets and screws (set aside) first, then remove the back panel by lifting it up slightly, tilt it forward, then lift it out.



- 6) Remove the two side brackets and screws (set aside) - then remove the side panels by tilting the top in and lifting them out.



- 7) Orient the stainless side panels with the larger fold in the panel facing in towards the burner and facing the back of the firebox.



Larger fold in the metal.

- 8) Secure the stainless panel with original bracket and screw - repeat procedure on the opposite side.
- 9) Reinstall the (original black) back panel - secure with 2 brackets and 2 screws (ones that were removed initially).
- 10) Reinstall the logs, glass door, inner door frame with screen and finally the faceplate. See manual for detailed instructions.



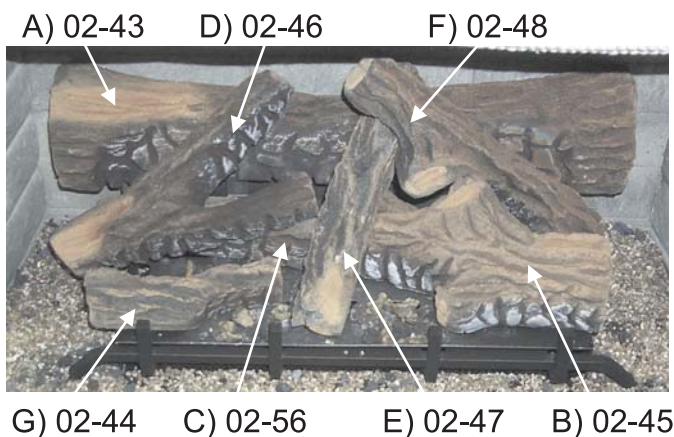
Final installation of optional stainless panels.

LOG SET INSTALLATION

Read the instructions below carefully and refer to the diagrams. If logs are broken do not use the unit until they are replaced. Broken logs can interfere with the pilot operation.

The gas log kit contains the following:

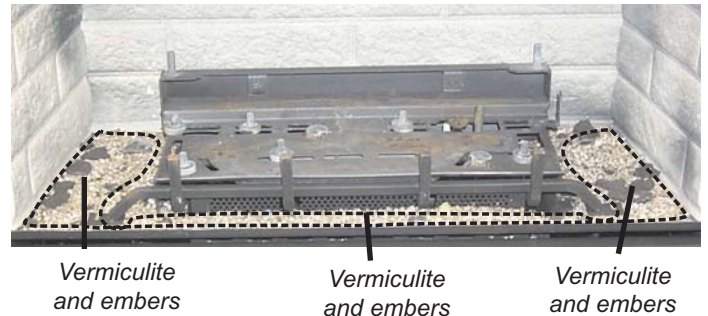
- a) 02-43 Rear Log
- b) 02-45 Front Right Log
- c) 02-56 Middle Left Log
- d) 02-46 Left Top Log
- e) 02-47 Center Log
- f) 02-48 Middle Right Log
- g) 02-44 Front Left Log
- h) 902-154 Embers
- i) 902-153 Rockwool
- j) 902-179/P Vermiculite
- k) 946-669 Platinum Embers
(supplied with packaged manual)



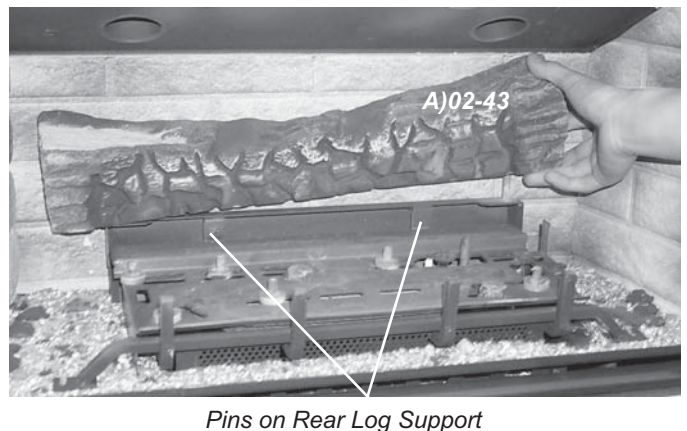
The "02" refer numbers (i.e. 02-43) are molded into the rear of each log.

Note: Install Optional Brick Panels prior to installing logs.

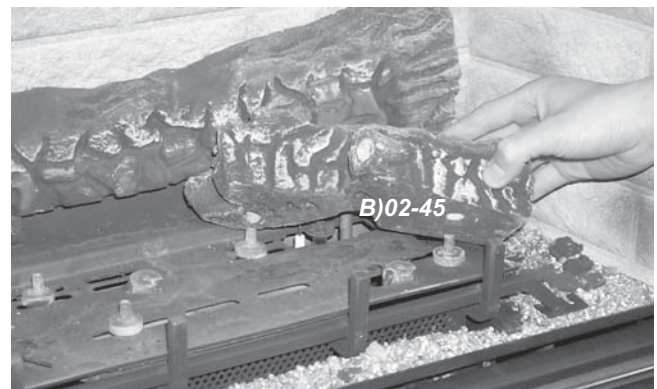
- 1) Carefully remove the logs from the box and unwrap them. The logs are fragile, handle with care - **do not force into position.**
- 2) Sprinkle the vermiculite around the firebox base. Take some of the embers (approx. 1/3 of the bag) and sprinkle over the vermiculite.



- 3) Place Rear Log A)02-43 on the two pins on the rear log support.

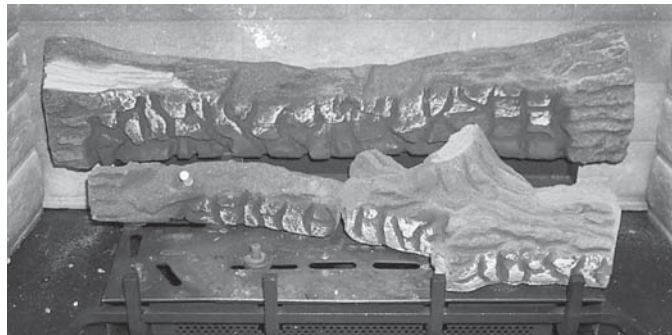
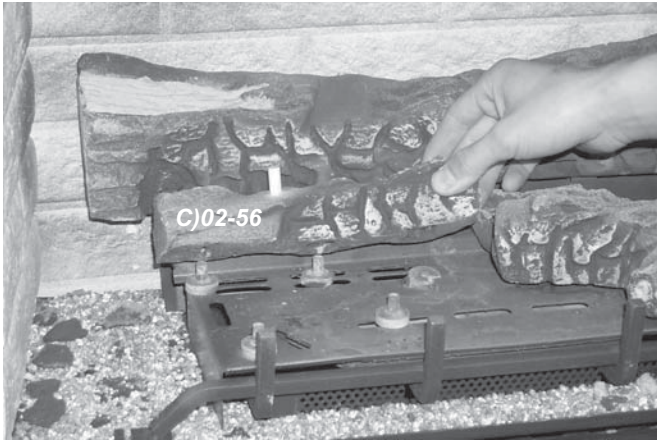


- 4) Place Front Right Log B)02-45 on the two pins as shown.



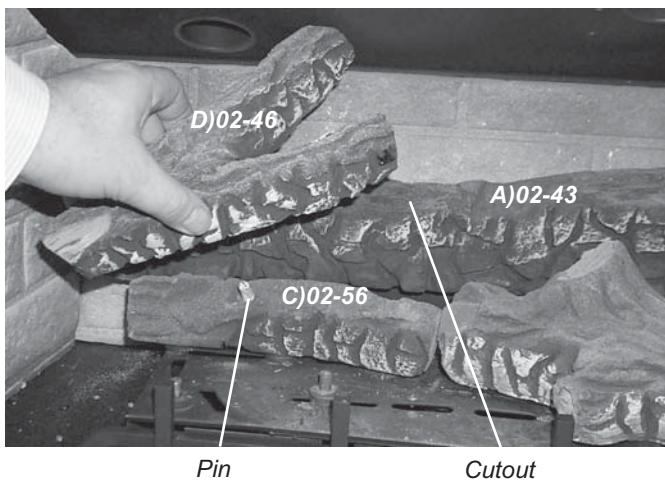
INSTALLATION

- 5) Place the Middle Left Log C)02-56 on the two pins as shown.

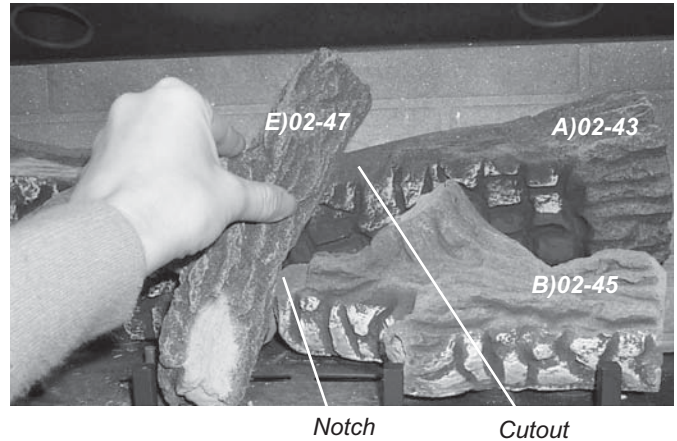


Logs A)02-43, C)02-56, and B)02-45 in position

- 6) Place the Left Top Log D)02-46 on the pin on Log C)02-56 and on top of the cutout on Log A)02-43.

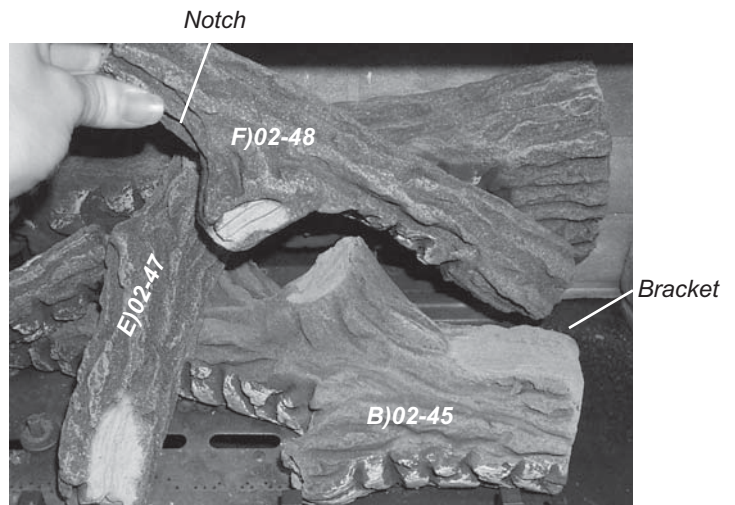


- 7) Place the notch in Center Log E)02-47 over Log B)02-45 and across the cutout on Log A)02-43.

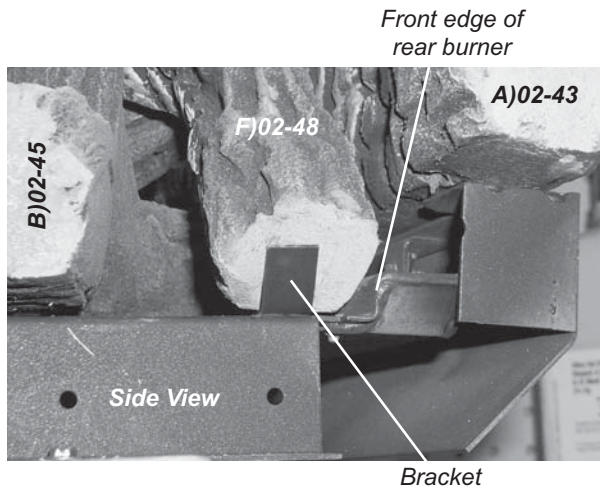


Logs D)02-46 and E)02-47 in position.

- 8) Position notch in Front Right Log F)02-48 on Log E)02-47 and push the bottom right edge against the bracket on the burner tray and the front edge of the rear burner.

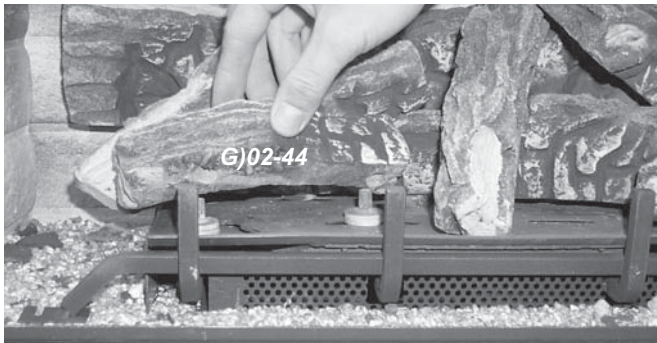


INSTALLATION

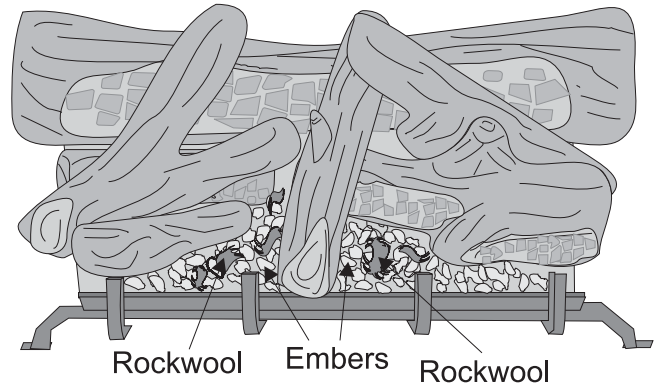


The bottom right edge of Log F)02-48 must sit snugly against the bracket and the front edge of the rear burner.

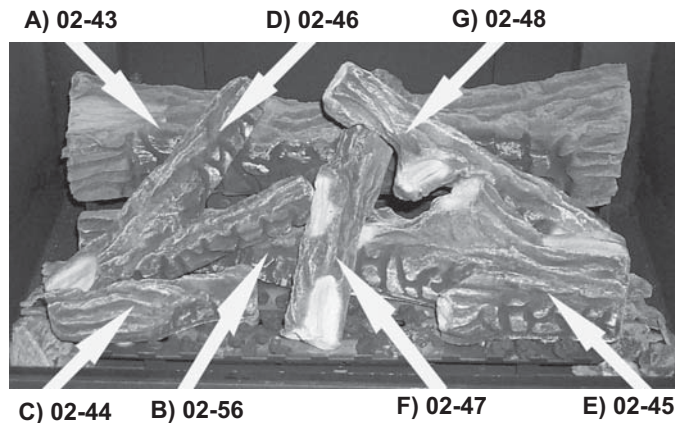
- 9) Place Front Left Log G)02-44 onto the 2 front pins as shown.



- 10) Place the embers and Rockwool on the exposed front burner tray.



- 11) Separate platinum embers and place on and around the embers and rockwool on the burner tray. Avoid stacking platinum embers.
- 12) Test fire to ensure proper light off (make sure flame flows smoothly from one end of burner to the other. If there is any flame hesitation, check that area for any blockage of the burner port.



The "02" refer numbers (i.e. 02-43) are molded into the rear of each log.

INSTALLATION

GLASS DOOR INSTALLATION

STANDARD FLUSH DOOR

The **standard flush door** comes with a black frame. To install the frame and glass door, simply hook the top door flange onto the top of the unit and swing the door towards the unit, diagram 1. Be careful that the glass gasket does not roll up; there must be a gap between the gasket and the door lip to ensure that the door sits securely on the unit. See Diagram 2.

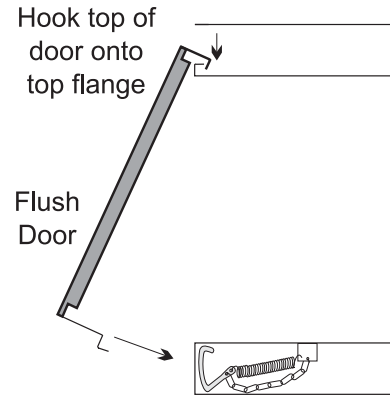
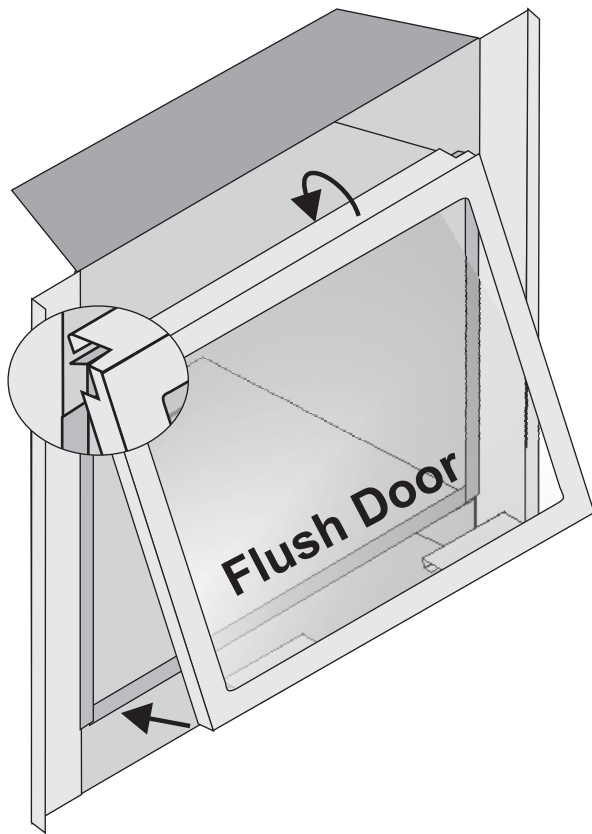


Diagram 1

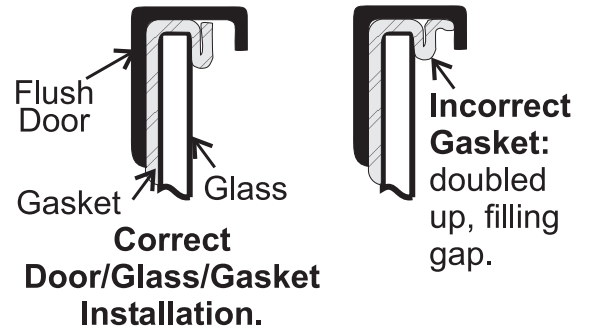


Diagram 2

Use the hook to pull the spring out until you can put the hook into the slot on the bottom door bracket. Repeat for 2nd spring. See diagram 3.

To remove the flush door, reverse the above steps.

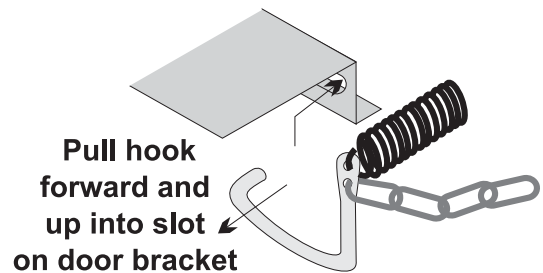


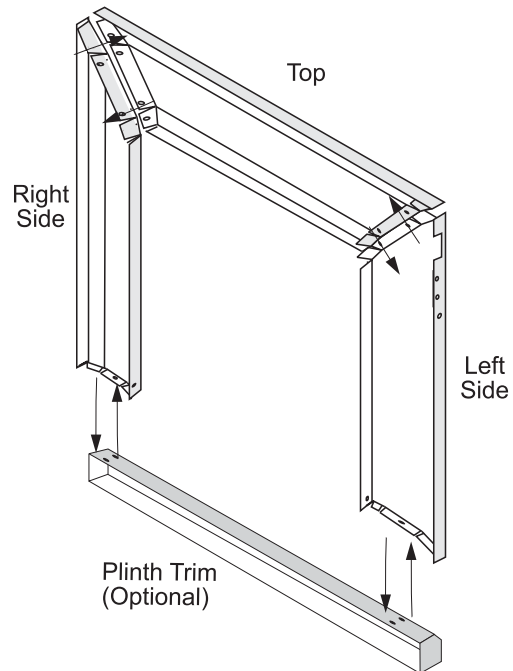
Diagram 3

To remove the flush door, reverse the above steps.

FACEPLATE & OPTIONAL PLINTH TRIM ASSEMBLY

- 1) Lay the faceplate panels flat, face down on something soft so they don't scratch.
- 2) Take the top faceplate and align the holes in it with the holes in the side panels. Secure with provided nuts and bolts.
- 3) Install faceplate on unit - see next page.

IG34 Faceplate Assembly / Plinth		
1	336-914	Faceplate / Trim Kit
1	366-942	Plinth Kit (optional)
1	336-016	Mesh Screen Door
1	336-072F	Mesh Bottom Screen
6	904-576	#8 Phillips pan head screws
1	336-012	Bottom Door



Plinth Trim Option:

Plinth Trim Kits are an option that can be used to finish off the installation when the bottom of the fireplace is higher than the hearth or to raise the fireplace.

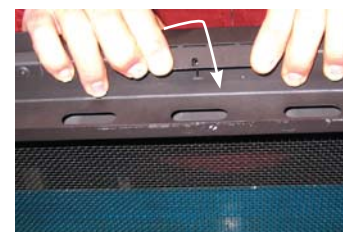
- 1) Lay the faceplate side panels flat, face down on something soft so they don't scratch.
- 2) Attach the Plinth Trim to the bottom of the faceplate side panels with the screws provided.
- 3) Install faceplate on unit - see next page.

SCREEN INSTALLATION

- 1) Hook the screen over the top of the door frame - lower until screen is flush with the door frame.



- 2) Flip door frame and screen over - locate the bracket tab at the bottom of the door frame - fold the tab over 90° to secure the screen in place.

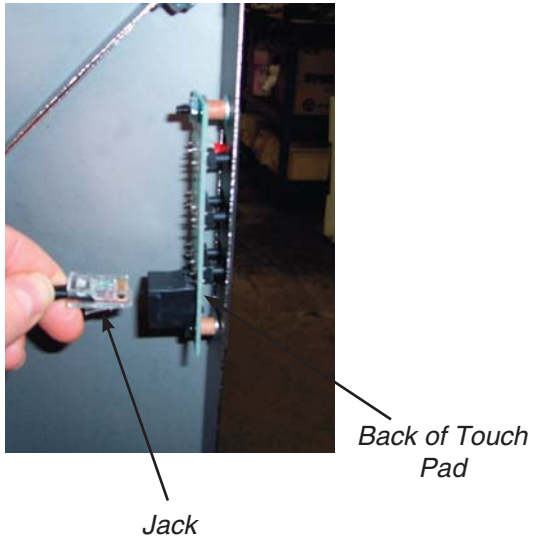


- 3) Install screen and door frame on to unit - follow directions on next page.

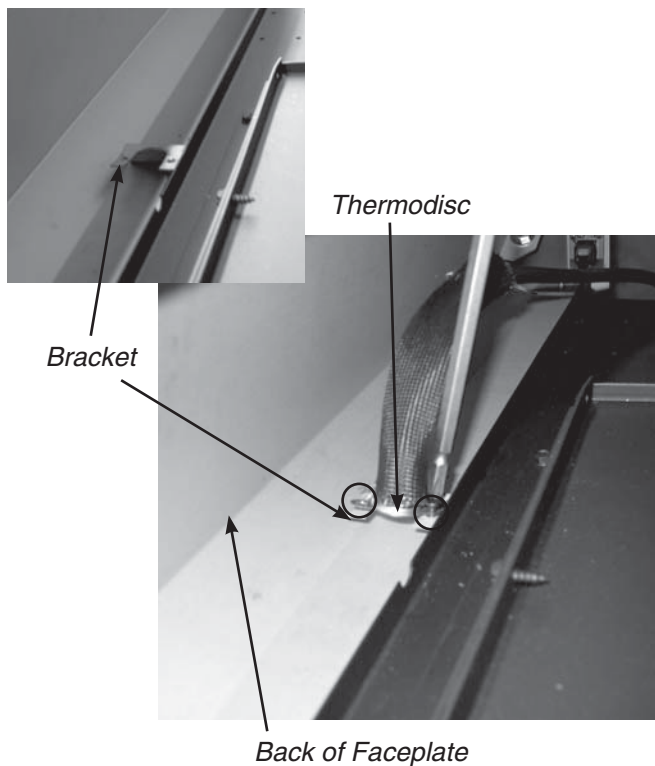
INSTALLATION

THERMODISC & FACEPLATE/DOORFRAME INSTALLATION

- 1) Position faceplate near the unit and plug the jack from the wiring harness from the unit into the back of the touch pad - as shown below.



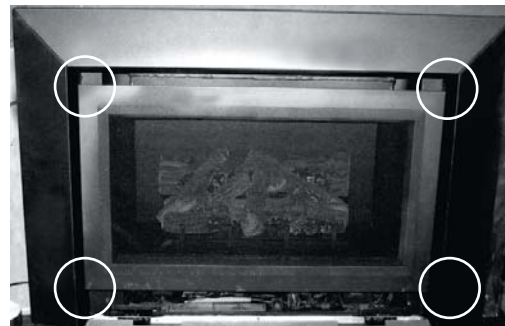
- 2) Take the limit switch harness from the unit and slide the thermodisc into the bracket located on the top backside of the faceplate. Secure with 2 screws as shown below.



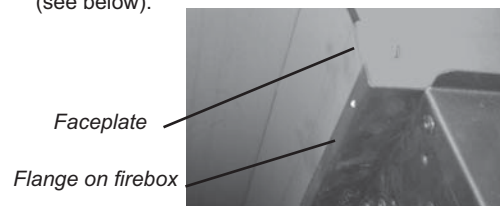
- 3) Secure wiring along the vertical right side of the faceplate (facing the back of the faceplate) with supplied grey adhesive clips.



- 4) Position faceplate on unit lining up screw holes on faceplate with screw holes on unit - secure with 4 screws.

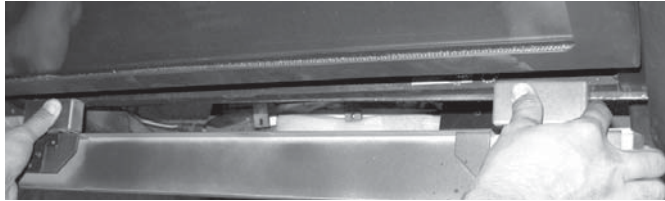


- Note:** Ensure that the flanges on the sides of the firebox are on the outside, when installing the faceplate (see below).



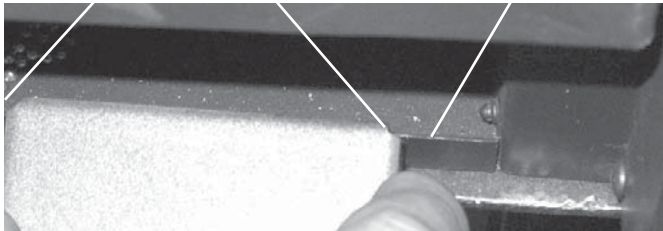
- 5) Fold down the 2 hinges on the bottom frame to a flat position. The bottom frame is installed with a friction fit - the opening in the corner of each hinge slides over the metal lip located on the floor of the unit.

Note: Ensure the bottom frame is positioned properly before installing, by making sure there is equal spacing on either side.

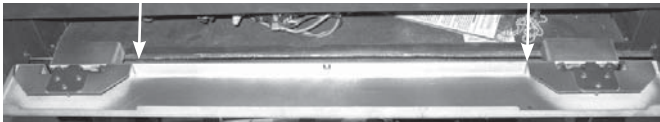


Openings on hinge

Metal Lip



- 6) Push both bottom frame hinges down on the metal lip until they are fully seated.



- 7) Install lower screw below glass door - secure with 4 screws.



- 8) Flip bottom louver up to close.



- 9) Install the door frame by hooking the top flange over the top of the glass door.



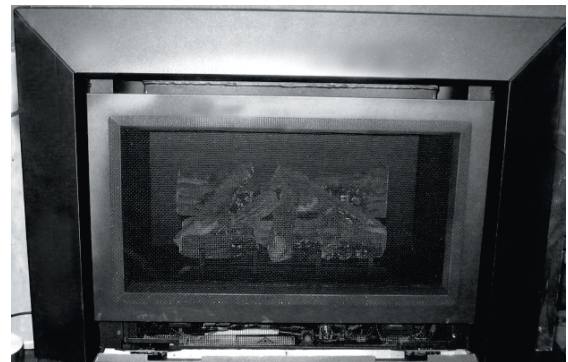
Glass Door

Door Frame

- 10) Lower the door frame gently into place.

- 11) To uninstall - reverse procedure.

- 12) Slide unit into final position.



Completed Faceplate & Door Frame Installation with Safety Screen

INSTALLATION

FINAL CHECK

Before leaving this unit with the customer, the installer must ensure that the appliance is firing correctly. This includes:

- 1) Locking the appliance to ensure the correct firing rate (rate noted on label) at 15 minutes.
- 2) If required, adjusting the primary air to ensure that the flame does not carbon. First allow the unit to burn for 15 min. to stabilize.
- 3) Check for proper draft.

CAUTION

Any alteration to the product that causes sooting or carboning that results in damage to the exterior facia is not the responsibility of the manufacturer.

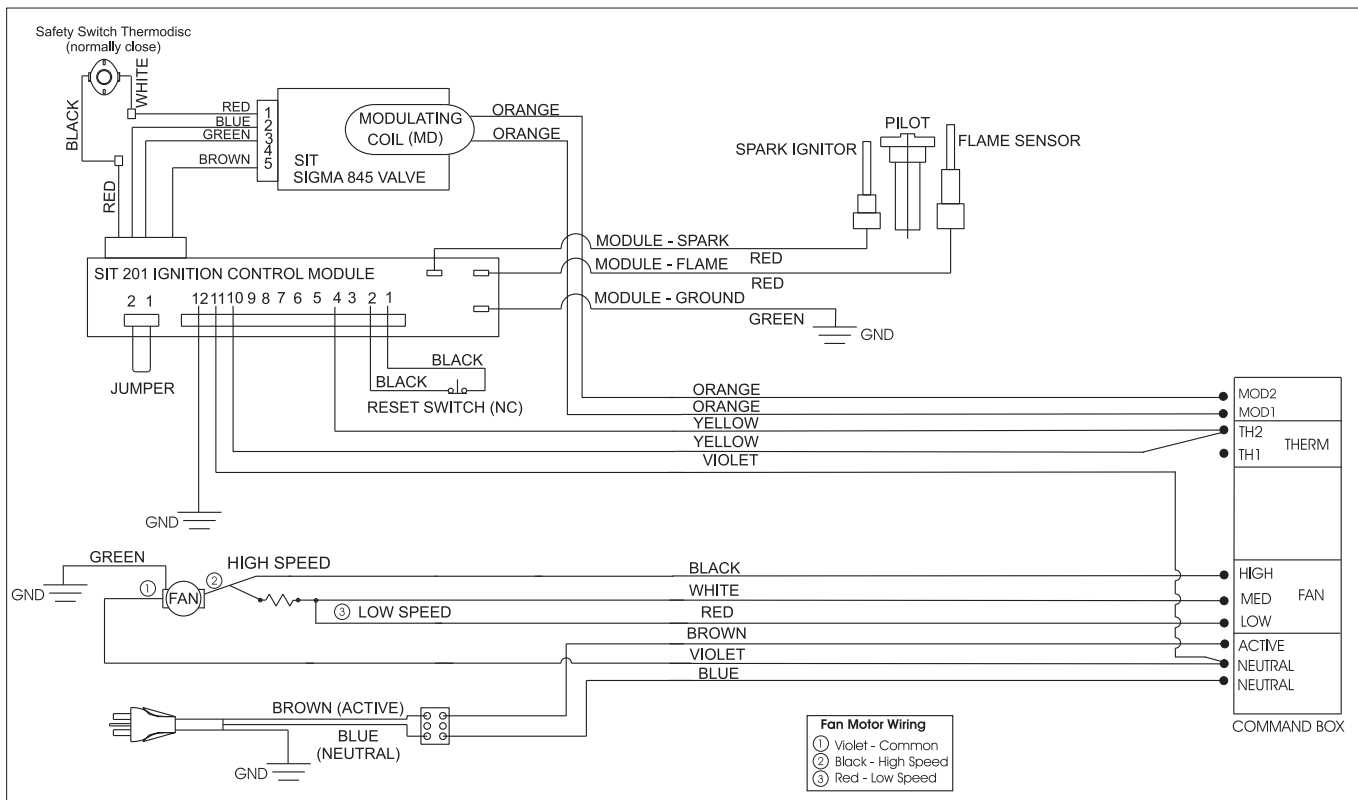
WIRING

Caution: Ensure that the wires do not touch any hot surfaces and are away from sharp edges.

This unit is polarity sensitive and will not operate if polarity is incorrect.

CAUTION: Label all wires prior to disconnection when servicing controls. Wiring errors can cause improper and dangerous operation.

STANDARD WIRING



OPERATING INSTRUCTIONS

OPERATING INSTRUCTIONS

Before operating this appliance, proceed through the following check list.

- 1) Read and understand these Instructions before operating this appliance.
- 2) Check to see that all wiring is correct and enclosed to prevent possible shock.
- 3) Check to ensure there are no gas leaks.
- 4) Make sure the glass door is in place. Never operate the appliance with the door glass removed.
- 5) Verify that all flueing and the cap is unobstructed.
- 6) Verify log placement.
- 7) The unit should never be turned off and on again without a minimum of a 60 second wait.
- 8) When lighting the appliance, the inside of the glass may fog up. This will burn off after a few minutes of operation.

LIGHTING INSTRUCTIONS

- 1) Plug the power cord into a power outlet.
- 2) Press and release the ON/OFF switch once to start the unit. The LED will be lit.
- 3) After approximately 8 seconds the spark ignition system will spark for 8 seconds to light the main burner.
- 4) If the main burner does not light, repeat step 2 to restart the unit.

SHUTDOWN INSTRUCTIONS

- 1) Press the ON/OFF switch once.
- 2) The LED will flash.
- 3) Turn off all electric power to the appliance if service is to be performed.

FIRST FIRE

The **FIRST FIRE** in your heater is part of the paint curing process. To ensure that the paint is properly cured, it is recommended that you burn your fireplace for at least four (4) hours the first time you use it with the fan on.

When first operated, the unit will release an odour caused by the curing of the paint and the burning off of any oils remaining from manufacturing. Smoke detectors in the house may go off at this time. Open a few windows to ventilate the room for a couple of hours. The glass may require cleaning.

NOTE: The main burner will always start on "HIGH" and resume it's last setting after 20 seconds of operation.

NOTE: When the glass is cold and the appliance is lit, it may cause condensation and fog the glass. This condensation is normal and will disappear in a few minutes as the glass heats up.

DO NOT ATTEMPT TO CLEAN THE GLASS WHILE IT IS STILL HOT!

DO NOT BURN THE APPLIANCE WITHOUT THE GLASS FRONT IN PLACE.

REMOTE CONTROL

Use the Regency Remote Control Kit approved for this unit. Use of other systems may void your warranty.

The remote control kit comes with a hand held transmitter and a wall mounting plate.

- 1) Choose a convenient location to mount the hand held transmitter, protection from extreme heat is very important.

By using the wall mounting plate to house the transmitter, the remote can also be used as a wall thermostat.



SUMMARY OF CONTROLS

On/Off Button

If the unit is switched off, pressing and releasing this button once will switch the unit on. The unit will resume its last settings.

If the unit is switched on, pressing and releasing this button once will switch the unit off.

Flame:

Increase - If the unit is switched on, pressing and releasing the flame plus (+) button once will increase the flame height to the next available high setting.

Decrease - If the unit is switched on, pressing and releasing the flame minus (-) button once will decrease the flame height to the next available low setting.

Fan:

Increase - If the unit is switched on, pressing and releasing the fan plus (+) button once will increase the fan speed to the next available high setting.

Decrease - If the unit is switched on, pressing and releasing the fan minus (-) button once will decrease the fan speed to the next available low setting.

FAN OPERATION

Set the fan speed on the control panel at the top rear of the unit to adjust to the desired speed.

Pressing and releasing the plus (+) FAN button will change the fan speed as follows:

OFF -> MEDIUM -> HIGH -> OFF, etc.

Pressing and releasing the minus (-) FAN button will be the reverse of the above.

Fan must be running at all times when the unit is in operation.

ADJUSTING FLAME HEIGHT

There are six flame settings that can be adjusted by pressing and releasing the plus (+) and minus (-) FLAME button.

OPERATING INSTRUCTIONS

COPY OF LIGHTING INSTRUCTION PLATE

This appliance must be installed in accordance with local codes, if any; if not, the current CAN1-B149/ANSI Z 223.1 (Australia: AS5601-2004, New Zealand: NZS 5

G: If you do not follow these instructions exactly, a fire or explosion may property damage, personal injury or loss of life. Improper installation, adjustment, service or maintenance can cause injury or property damage. Refer information manual provided with this appliance. For assistance or addition consult a qualified installer, service agency or gas supplier.

LIGHTING smell all around the appliance gas. Be sure to smell next to the floor some gas is heavier than air and will the floor.

DO IF YOU SMELL GAS

try to light any appliance

touch any electric switch, do not use any your building

Immediately call your gas supplier from a phone. Follow the gas supplier's instructions.

If you cannot reach your gas supplier, call the fire department.

B) Do not use this appliance if any part is under water. Immediately call a qualified technician to inspect the appliance and test any part of the control system and any gas which has been under water.

This appliance needs fresh air for safe operation and must be installed so there are provisions for adequate combustion and ventilation air.

WARNING: Hot while in operation. Do not touch. Severe Burns may result. Due to high temperatures keep children, clothing and furniture, gasoline and other liquids and flammable vapors away. Keep burner and control compartment clean. See installation instructions accompanying appliance.

LIGHTING INSTRUCTIONS

STOP! Read the safety information above on this label.

1) Plug the power cord into a power outlet.

2) Press and release the ON/OFF button once to start the unit.

3) After approximately 3 seconds the spark ignition system will spark for 25 seconds to light the main burner.

4) If the main burner does not light, check the gas and reset the unit.

HOW TO TURN OFF GAS APPLIANCE

**WARNING:
DO NOT SPRAY AEROSOLS IN THE VICINITY OF
THIS APPLIANCE WHILE IN OPERATION.**



"Appliances incorporating a live fuel effect, and designed to operate with luminous flames, may exhibit slight carbon deposition."

NORMAL OPERATING SOUNDS OF GAS APPLIANCES

It is possible that you will hear some sounds from your gas appliance. This is perfectly normal due to the fact that there are various gauges and types of steel used within your appliance. Listed below are some examples. All are **normal operating sounds** and should not be considered as defects in your appliance.

Blower:

Regency gas appliances use high tech blowers to push heated air farther into the room. It is not unusual for the fan to make a "whirring" sound when ON. This sound will increase or decrease in volume depending on the speed setting of your fan speed control.

Burner Tray:

The burner tray is positioned directly under the burner tube(s) and logs and is made of a different gauge material from the rest of the firebox and body. Therefore, the varying thicknesses of steel will expand and contract at slightly different rates which can cause "ticking" and "cracking" sounds. You should also be aware that as there are temperature changes within the unit these sounds will likely re-occur. Again, this is normal for steel fireboxes.

Gas Control Valve:

As the gas control valve turns ON and OFF, a dull clicking sound may be audible, this is normal operation of a gas regulator or valve.

Unit Body/Firebox:

Different types and thicknesses of steel will expand and contract at different rates resulting in some "cracking" and "ticking" sounds will be heard throughout the cycling process.

RESETTING THE UNIT

If the appliance goes to 'lockout', the system will have to be reset by depressing the reset button - located behind bottom louver.

***Important:** Wait at least 5 min for any unburned gas to clear before resetting the appliance.

1) Open the bottom louver on the unit.

2) Press and release the reset button - once. The button is located near the gas valve.

3) Wait for approximately 3 seconds - the pilot sparks can be heard and seen. It will take approximately 2 to 3 seconds for the flame to be lit.

NOTE: Wait 30 seconds between reset attempts.

MAINTENANCE INSTRUCTIONS

Any maintenance required accessing the glass door of the unit must be performed by an authorized service person.

- 1) Always unplug the power cord before cleaning. For relighting, refer to lighting instructions. Keep the burner and control compartment clean by brushing and vacuuming at least once a year. When cleaning the logs, use a soft clean brush as the logs are fragile and easily damaged.
- 2) Clean glass (never when unit is hot), appli-ance, louvres, and door with a damp cloth. Never use an abrasive cleaner. The gold louvres (and optional gold door) may be scratched if abrasives are used to clean them.

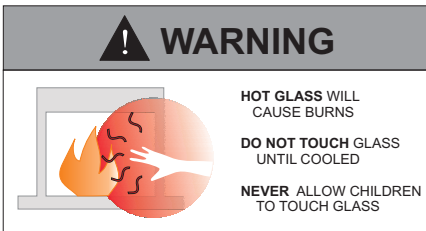
The heater is finished in a heat resistant paint and should only be refinished with heat resistant paint (not with wall paint). Regency uses StoveBright Paint - Metallic Black #6309.

- 3) Make a periodic check of burner for proper position and condition. Visually check the flame of the burner periodically, making sure the flames are steady; not lifting or floating. If there is a problem, call an authorized service person.
- 4) The appliance and flueing system must be inspected before use, and at least annually, by an authorized field service person, to ensure that the flow of combustion and ventilation air is not obstructed.

During the annual service call, the burners should be removed from the burner tray and cleaned. Replace the embers - do not block the burner ports.

- 5) Keep the area near the appliance clear and free from combustible materials, gasoline and other flammable vapours and liquids.
- 6) Verify proper operation after servicing.

WARNING: CHILDREN AND ADULTS SHOULD BE ALERTED TO THE HAZARDS OF HIGH SURFACE TEMPERATURE AND SHOULD STAY AWAY TO AVOID BURNS OR CLOTHING IGNITION. YOUNG CHILDREN SHOULD BE CAREFULLY SUPERVISED WHEN THEY ARE IN THE SAME ROOM AS THE APPLIANCE.



CAUTION: ANY SAFETY SCREEN OR GUARD REMOVED FOR SERVICING AN APPLIANCE MUST BE REPLACED PRIOR TO OPERATING THE APPLIANCE.

CLOTHING OR OTHER FLAMMABLE MATERIAL SHOULD NOT BE PLACED ON OR NEAR THE APPLIANCE.

DO NOT USE THIS APPLIANCE IF ANY PART HAS BEEN UNDER WATER. IMMEDIATELY CALL AN AUTHORIZED SERVICE TECHNICIAN TO INSPECT THE APPLIANCE AND TO REPLACE ANY PART OF CONTROL SYSTEM AND ANY GAS CONTROL WHICH HAS BEEN UNDER WATER.

LOG REPLACEMENT

The unit should never be used with broken logs. Unplug the power cord and allow the unit to cool before opening door to carefully remove the logs. If for any reason a log should need replacement, you must use the proper replacement log. The position of these logs must be as shown in the diagram under Log Installation.

Note: *Improper positioning of logs may create carbon build-up and will alter the unit's performance which is not covered under warranty.*

DOOR GLASS REPLACEMENT

Your Regency stove is supplied with high temperature, 5 mm Neoceram ceramic glass that will withstand the highest heat that your unit will produce. In the event that you break your glass by impact, purchase your replacement from an authorised Regency dealer only, and follow our step-by-step instructions for replacement.

WARNING: do not operate appliance with the glass front removed, cracked or broken. Replacement of the glass should be done by a licensed or authorised service person.

Flush Glass Replacement

Slide old glass out of the side frames and replace with new glass.

GLASS GASKET

If the glass gasket requires replacement use glass gasket (Part # 936-155).

MAINTENANCE

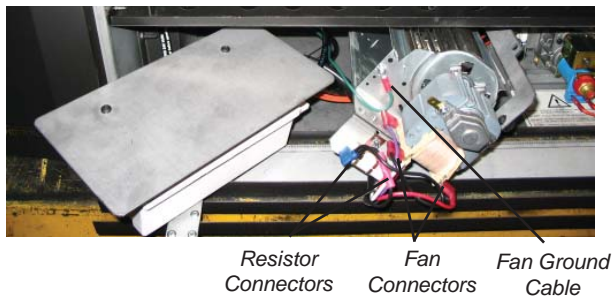
FAN MAINTENANCE

To Remove Fan:

- 1) Turn the unit off and allow it to cool to room temperature,
- 2) Unplug or disconnect power source to stove.
- 3) Open the bottom louvre.
- 4) Remove screws that secure protective screen.
- 5) Remove door frame and screen
- 6) Remove the ECS harness from the back clip.
- 7) Pull out the ECS box.
NOTE: The ECS box is held in place with velcro.
- 8) Remove the 2 screws that secure the fan in place.



- 9) Carefully slide the fan to the front, rotate it 45 degrees and slide it out simultaneously with the ECS box.



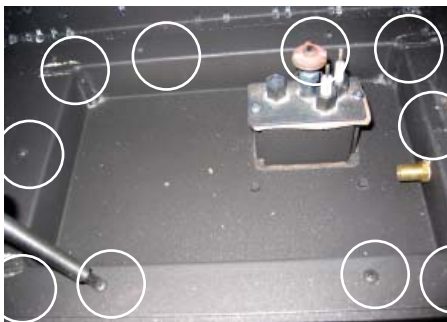
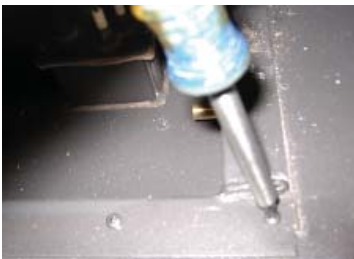
- 10) Disconnect all the connectors from the fan and resistor.
- 11) Remove the fan ground cable.
- 12) Reverse the above steps to install the new fan.

VALVE ASSEMBLY REPLACEMENT

- 1) Unplug or disconnect the power source to the stove and shut off gas supply.
- 2) open bottom louvre and remove protective screen.
- 3) Remove the door frame and safety screen.
- 4) Remove the glass door, logs, and black or stainless inner liner, if installed.
- 5) Remove the rear log tray, burner and grate.



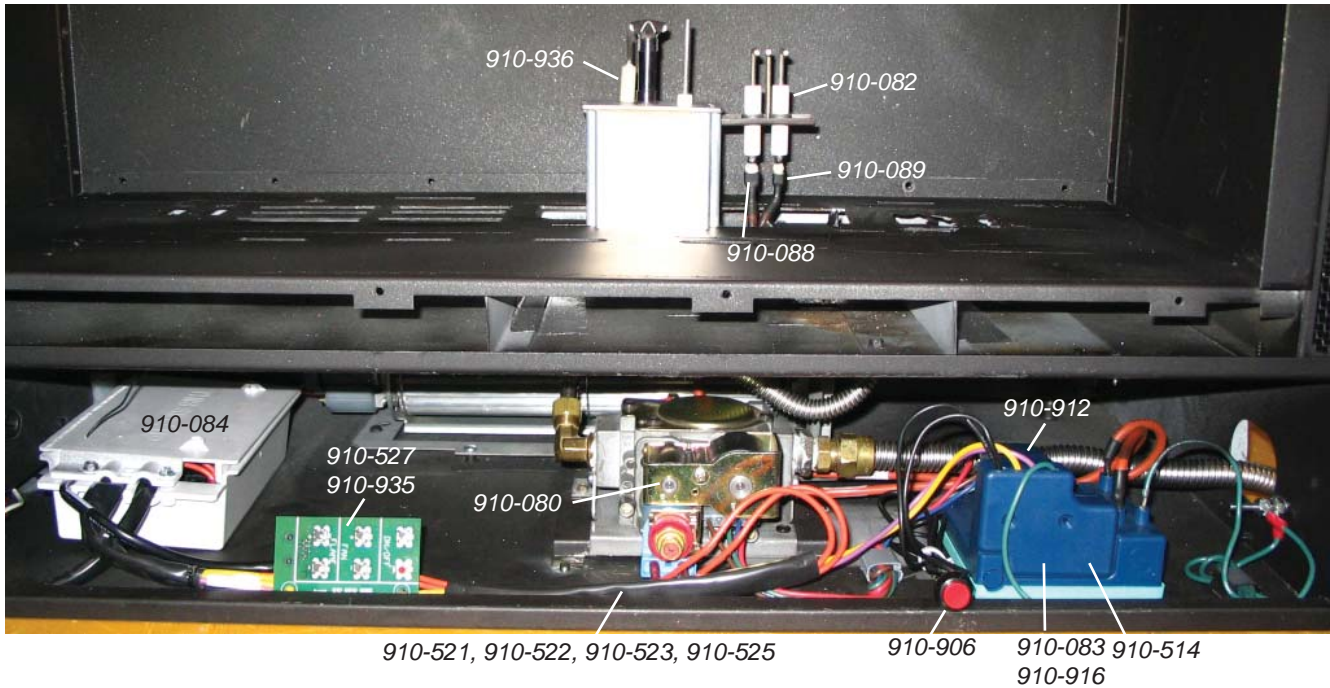
- 6) Disconnect gas line from the valve.
- 7) Remove the firebox base plate by removing the 10 screws which hold it in place.



- 8) Remove all the wire connectors from the valve and spark ignitor.
- 9) Remove the valve tray assembly.
- 10) To replace the valve tray assembly, simply reverse the above steps.

PARTS LIST

ELECTRONIC COMPONENTS PARTS LIST



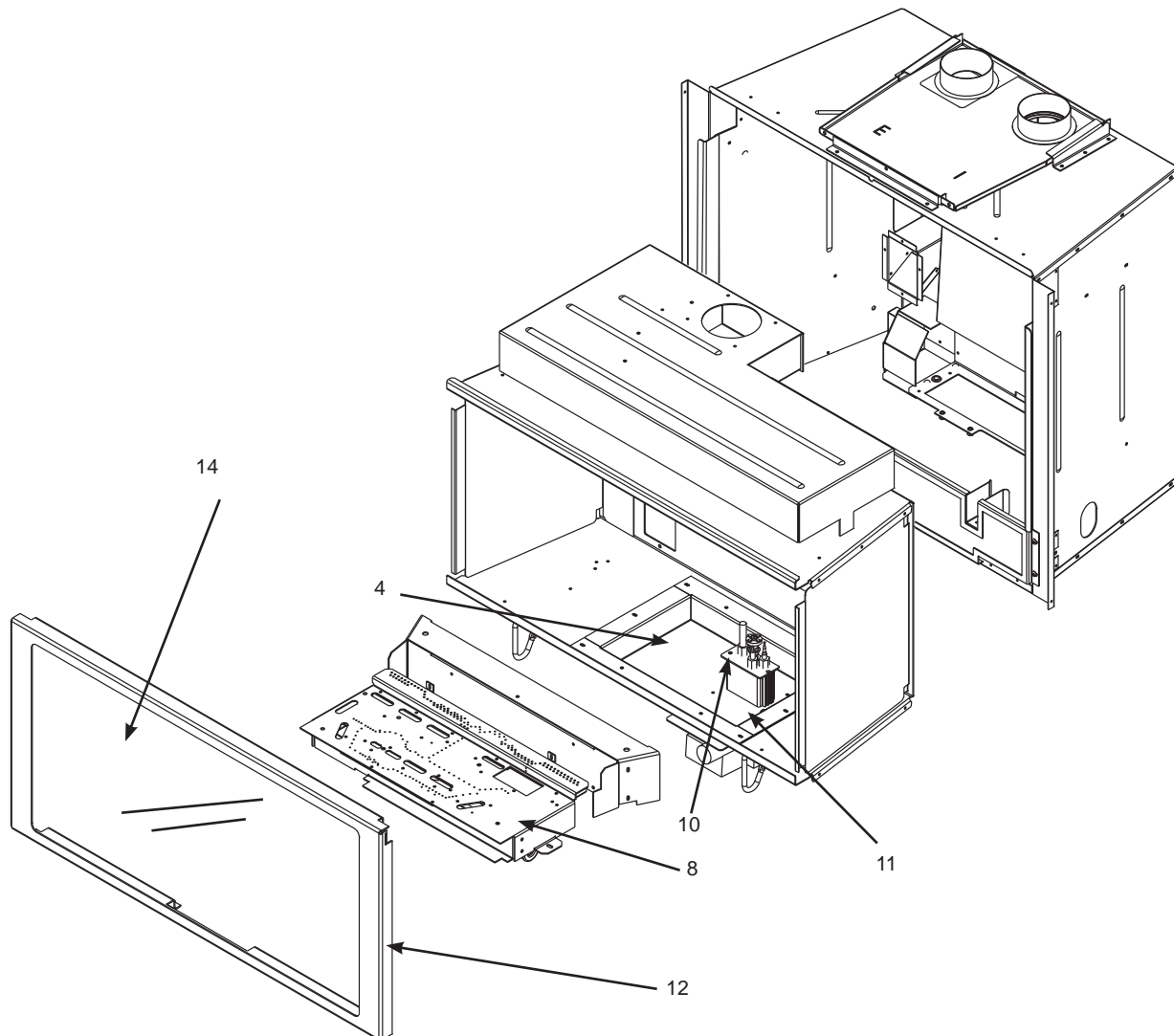
	FG37	FG38	FG39	PG33	PG36 / PG36D	HG35	PG121/ PG131	IG35	IG34
910-909 Fan Resistor	✓	✓	✓	✓	✓	✓	✓	✓	✓
910-936 Intermittent Pilot	✓	N/A	✓	✓	✓	✓	✓	N/A	✓
910-082 Direct Spark Ignitor	N/A	✓	N/A	N/A	N/A	N/A	N/A	✓	N/A
910-089 Flame Cable	N/A	✓	N/A	N/A	N/A	N/A	N/A	✓	N/A
910-088 Spark Cable	N/A	✓	N/A	N/A	N/A	N/A	N/A	✓	N/A
910-084 Control Box	✓	✓	✓	✓	✓	✓	✓	✓	✓
910-527 Manual Control Switch	✓	✓	✓	N/A	N/A	✓	N/A	N/A	✓
910-080 Valve	✓	✓	✓	✓	✓	✓	✓	✓	✓
910-521 Control Box Cable (1) 910-522 Control Box Cable (2) 910-523 Control Box Cable (3) 910-525 Control Box Cable (4)	(2)	*N/A	(2)	(2)	(1)	(4)	(3)	N/A*	(2)
910-912 Ignition Module to Valve Cable	N/A	N/A	N/A	✓	✓	✓	✓	✓	✓
910-906 Reset Switch	✓	N/A	✓	✓	✓	✓	✓	N/A	✓
910-083 Ignition Module (1) 910-922 Ignition Module (2)	(2)	(1) (2)	(2)	(2)	(2)	(2)	(2)	(1)	(2)
910-514 Jumper Wire	✓	N/A	✓	✓	✓	✓	✓		
910-527 Manual Control Switch	✓	✓	✓	N/A	N/A	✓	N/A	N/A	✓
910-935 Manual Control Switch	N/A	N/A	N/A	✓	✓	✓	✓	✓	✓
**Note: The Control Box Cable wires for the FG38 come separately: 910-502, 910-505, 910-506, 910-507, 910-509 The Control Box Cable wires for the IG35 come separately: 910-530, 910-504, 910-528									

MAIN ASSEMBLY

Part #	Description	Part #	Description
1) 910-169/P	Fan Motor (240 V)**	10) 910-936	Pilot Assy (NG) - 3 flame convertible top
2) 910-995	Thermodisc**	910-947	Pilot Assy (LPG) - 3 flame convertible top
3) 486-968	LPG Conversion Kit**	11) 904-240	Orifice #37 (NG)
486-967	ULPG Conversion Kit**	904-645	Orifice #51 (LP)
4) 336-574/P	Valve Assembly - NG	12) 336-013	Glass Door Frame
336-576/P	Valve Assembly - LPG	13) 936-155	Gasket Tadpole Tape
5) 910-080	SIGMA Valve 845	14) 940-307/P	Neoceram Glass
6) 336-001	Valve Tray Gasket**	948-223	Logo Plate
7) 402-526	Grate Assembly**	918-793	Manual
8) 336-535	Burner Assembly - NG/LPG		
9) 402-935	Log Set**		

*Not available as a replacement part.

** Part not shown.

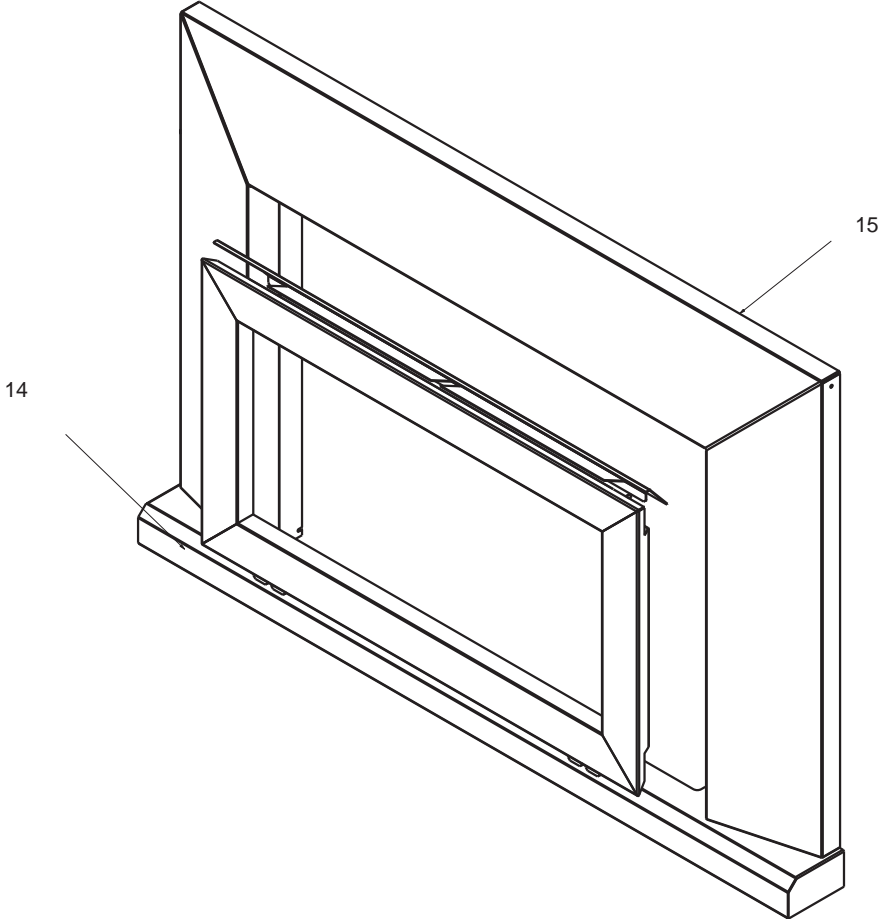


PARTS LIST

FACEPLATE ASSEMBLY

Part #	Description
14)	366-942 Plinth Kit
15)	336-914 Faceplate & Trim Complete - Regular
16)	336-532 Flush Screen Door**

*Not available as a replacement part.



WARRANTY

Regency® Fireplace Products are designed with reliability and simplicity in mind. In addition, our internal Quality Assurance Team carefully inspects each unit thoroughly before it leaves our door. Regency® is pleased to extend this limited lifetime warranty to the original purchaser of a Regency® Product.

The Warranty: Lifetime

Covered under the agreement are the following components: The combustion chamber, heat exchanger, burner tubes/pans, logs, glass crystals, ceramic spa stones, pebbles, brick panels and gold plating (against defective manufacture only) are covered under the Limited Lifetime Warranty for five (5) years for parts and labour and parts only thereafter.

External casting, surrounds and grills are covered against cracks and warps resulting from manufacturer defects, parts and labour for one (1) year from the date of purchase and parts only thereafter.

Special Finishes - One year on stainless steel panels, nickel overlays, nickel faceplates, brushed nickel and antique copper full screens and doors. You can expect some changes in color as the product "ages" with constant heating and cooling. Regency warranties the product for any manufacturing defects on the original product. However, the manufacturers warranty does not cover changing colors and marks, ie. finger prints, etc applied after the purchase of the product. Damage from the use of abrasive cleaners is not covered by warranty.

Electrical components such as fans, switches, ignition modules, wiring, thermodiscs, remote control, thermopiles, thermocouples and gas valves are covered for one year for parts and labour from the date of purchase.

The warranty on brass parts is for one year, no labour. The brass is not warranted against tarnishing.

Repair/replacement parts purchased by the consumer from Regency® after the original coverage has expired on the unit will carry a 90 day warranty valid with a receipt only. Any item shown to be defective will be repaired or replaced at our discretion. No labour coverage is included with these parts.

Conditions:

All installations must be performed by a qualified gas fitter and installed according to all applicable local and national codes. Also, all service work must be carried out by a qualified gas service person provided by the selling dealer. It is the responsibility of the installer to ensure that the appliance is firing as per rating plate. Any part or parts of this unit which in our judgement show evidence of such defect will be repaired or replaced at Regency's option, through an accredited distributor or agent provided that the defective part be returned to the distributor or agent **Transportation Prepaid**, if requested. In areas where there is not an approved service agent or the closest approved service agent is situated more than thirty (30) kilometres from the installation, Regency is not obliged to arrange warranty repairs and travel and/or additional labour charges will apply.

Porcelain/Enamel - Absolute perfection is neither guaranteed nor commercially possible. Any chips must be reported and inspected by an authorised dealer within three days of installation. Reported damage after this time will be subject to rejection.

It is the general practice of Regency® to charge for larger, higher priced replacement parts and issue credit once the replaced component has been returned to Regency and evaluated for manufacturer defect.

At all times Regency reserves the right to inspect product in the field which is claimed to be defective.

All claims must be submitted to Regency® by authorised selling dealers. It is essential that all submitted claims provide all of the necessary information including customer name, purchase date, serial #, type of unit, problem, and part or parts requested, without this information the warranty will be invalid.

Exclusions:

This limited Lifetime Warranty does not extend to or include paint, door or glass gasketing or trim. It does not cover installation and operational related problems such as over-firing, downdrafts or spillage caused by environmental conditions, nearby trees, buildings, hilltops, mountains, inadequate flueing or ventilation, excessive offsets, negative air pressures caused by insufficient make up air, mechanical systems such as furnaces, fans, clothes dryers etc.

Embers, rockwool, gaskets, door handles and paint are not covered under the terms of this warranty policy.

Regency® will not be liable for acts of God, or acts of terrorism, which cause malfunction of the appliance.

Performance problems due to operator error will not be covered by this warranty policy.

The warranty does not extend to any part or parts which show evidence of misuse or abuse, neglect, accident, lack of maintenance, or improper installation.

Products made by other manufacturers and used in conjunction with the operation of this appliance without authorisation from Regency®, may nullify your warranty on this product.

Regency shall in no event be liable for any special, indirect consequential damages of any nature whatsoever which are in excess of the original purchase price of the product. Any alteration to the unit which causes sooting or carboning that results in damage to the exterior facia is not the responsibility of Regency Fireplace Products.

SUBJECT TO CHANGE.

DISTRIBUTORS:	Western Australia	Eastern Australia
	Air Group Australia	Fireplace Products Australia PTY. Ltd.
	28-30 Division St.	1-3 Conquest Way
	Welshpool, WA 6106	Hallam, VIC 3803
	08 9350 2200	03 9799 7277

NOTE: PLEASE RETAIN YOUR INVOICE AS PROOF OF PURCHASE FOR WARRANTY VERIFICATION

INCORRECT INSTALLATION OR GAS PRESSURE SETTINGS ARE NOT COVERED BY WARRANTY

A SERVICE OR CALLOUT FEE WILL BE CHARGED IN THESE CIRCUMSTANCES.

Register your Regency® warranty online www.regency-fire.com.au



Reasons to register your product online today!

- View and modify a list of all your registered products.
- Request automatic email notification of new product updates.
- Stay informed about the current promotions, events, and special offers on related products.
- Help assure you get the most out of your warranty.
- Eliminate confusion and frustration if warranty** service is required in the future.

** Proof of purchase required at time of warranty request.

Installer: Please complete the following information

Dealer Name & Address: _____

Installer: _____

Phone #: _____

Date Installed: _____

Serial No.: _____